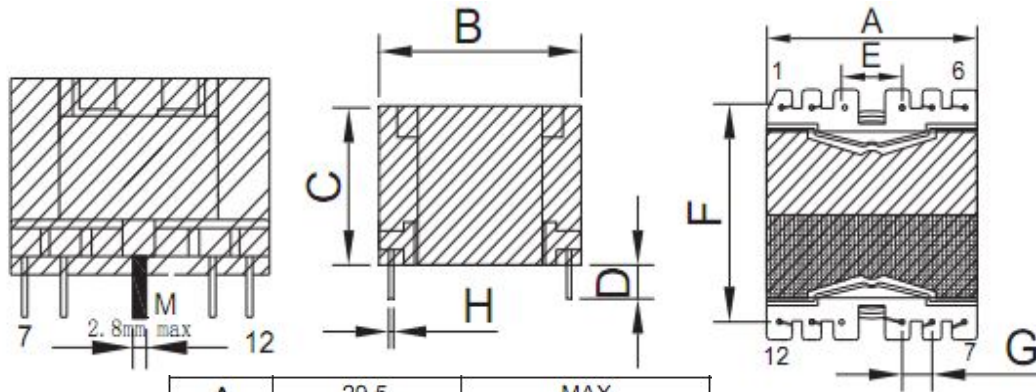


CUSTOMER TERMINAL	ROHS	Lead(Pb)-free
	YES	YES

1. Mechanical Dimensions

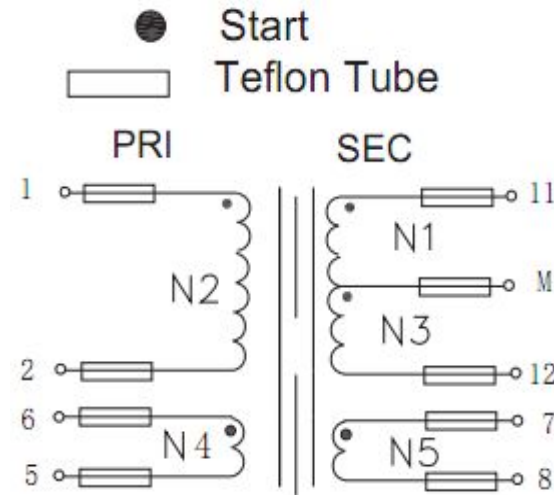


A	29.5	MAX
B	30.5	MAX
C	26.5	MAX
D	3.5	±0.5
E	7.6	±0.3
F	25.4	±0.4
G	3.8	±0.3
H	0.60	±0.1

3. Material List

Core:FW44 PQ2625
 Bobbin:FWB2602(6+6PIN)
 Wire:2UEW TIW LITZ
 Operating Temperature: -30 to115 °C

2. Schematic Diagram



4. Electrical Specification

Inductance: L(1-2):65uH±5% 100KHZ 、 0.6V
 Leakage Inductance : 0.51uH MAX 100KHZ 、 0.6V
 DCR:(1-2)=76.8mΩMAX (11-12)=114mΩMAX
 Hi-Pot:P-S: AC 60Hz 4000V 2.0mA 3S
 P-CORE: AC 60Hz 500V 2.0mA 3S

REV.	DATE	 Convention Placement	DRW.	Drawing Title: TRANSFORMER	Part No:
0	00/00		CHK.		FWPTPQ2625V650J-2
			APP.		Customer P/N
ROHS		www.ferriwo.com			